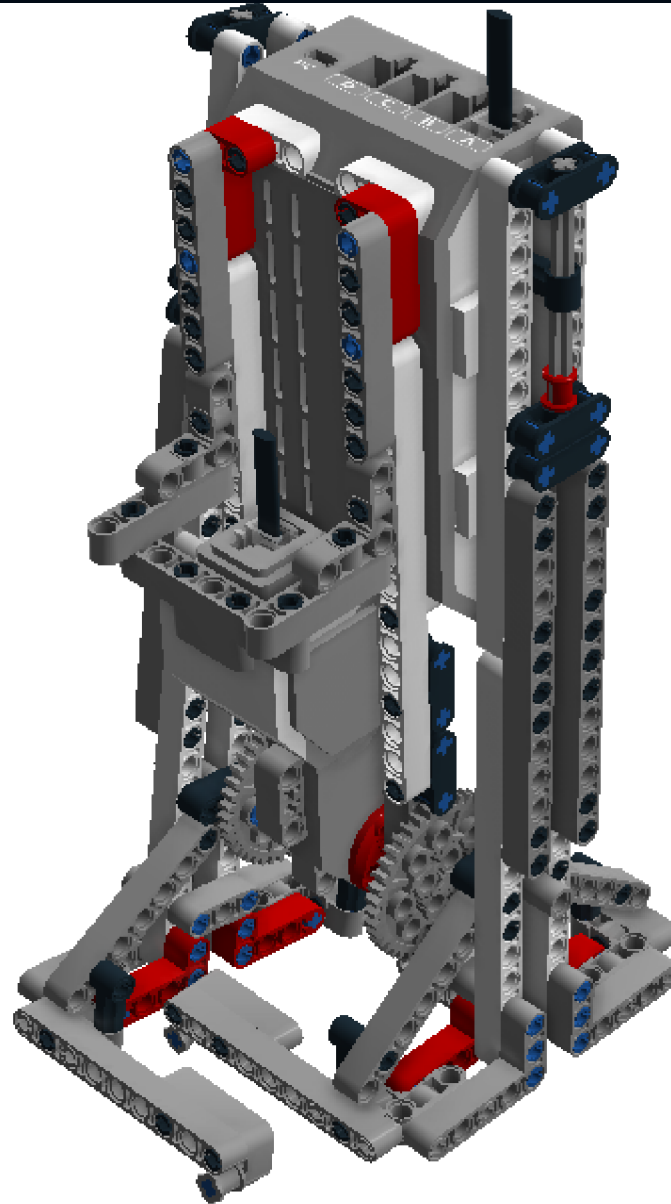


**LEGO** DIGITAL DESIGNER 4.2

Model Name:  
**robert**

Number of Bricks: **223**



Step 1 of 52

1 x



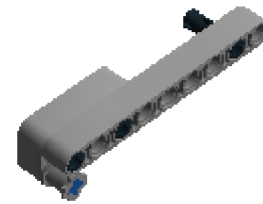
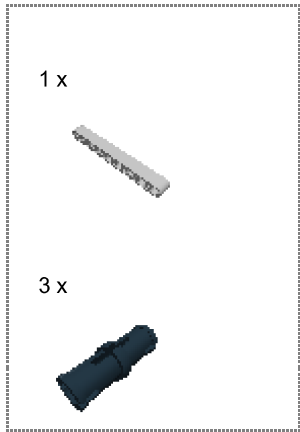
1 x



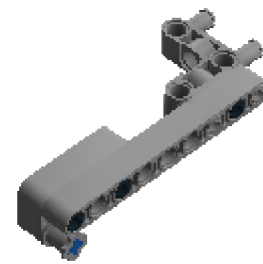
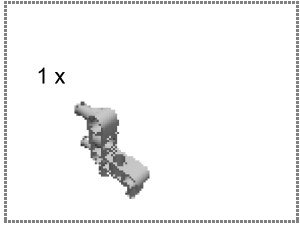
1 x



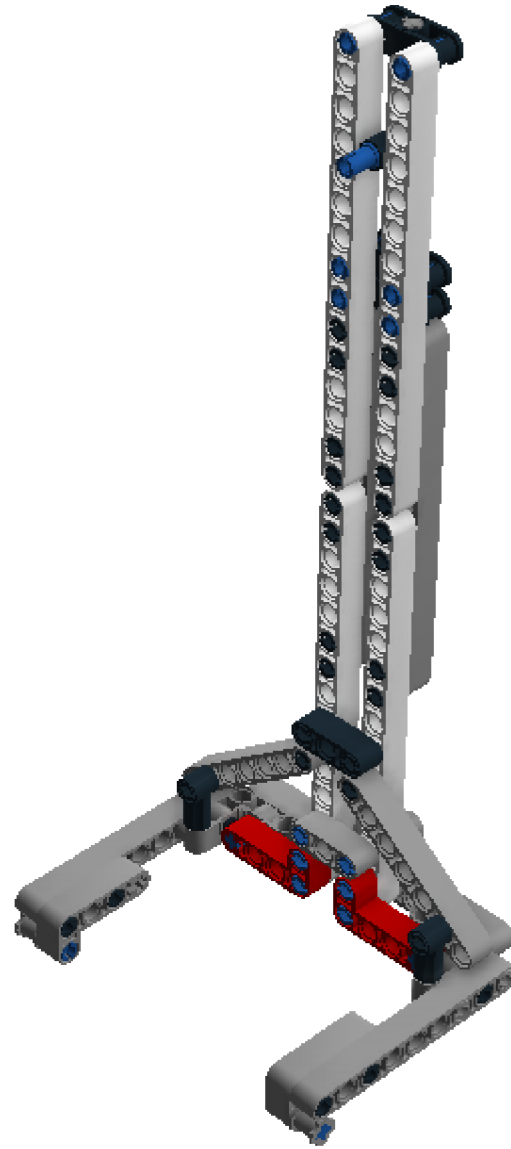
Step 2 of 52



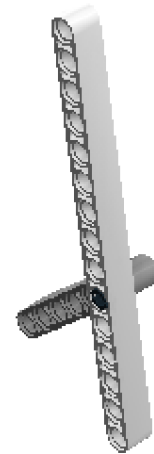
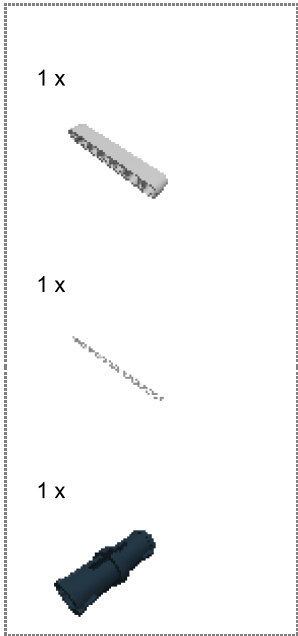
**Step 3 of 52**



Step 4 of 52



Step 5 of 52



Step 6 of 52

1 x



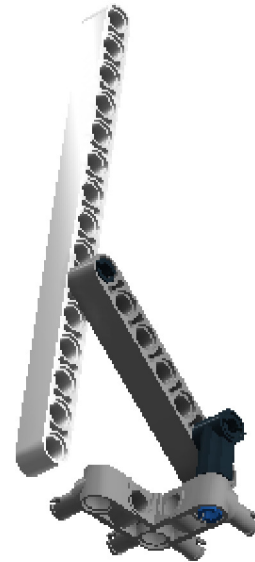
1 x



1 x



1 x



Step 7 of 52

1 x



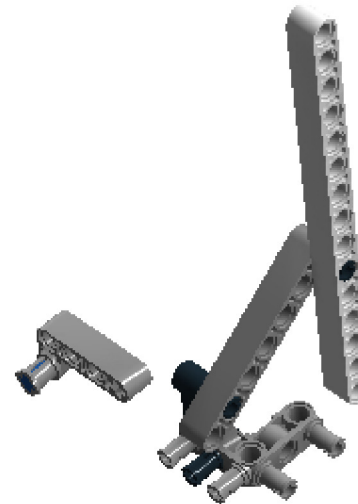
1 x



1 x



1 x





Step 8 of 52

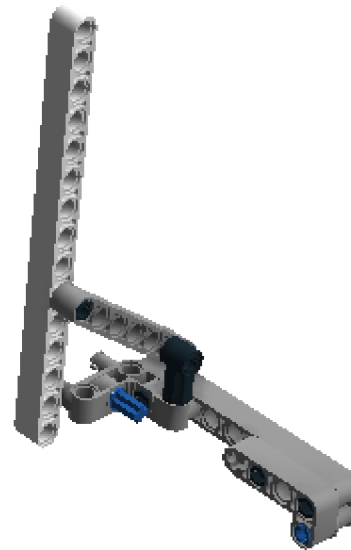
1 x



2 x



1 x

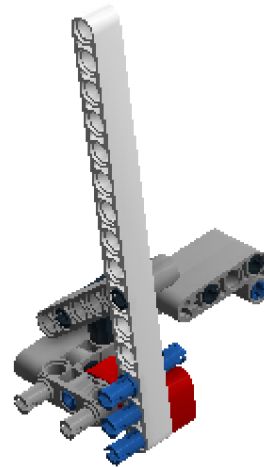


Step 9 of 52

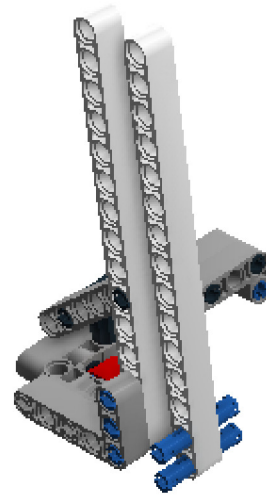
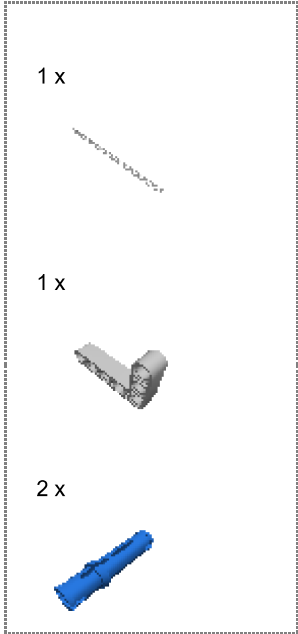
1 x



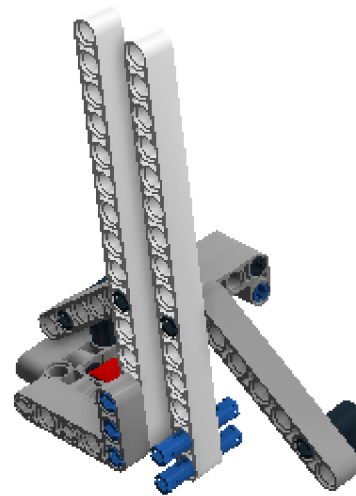
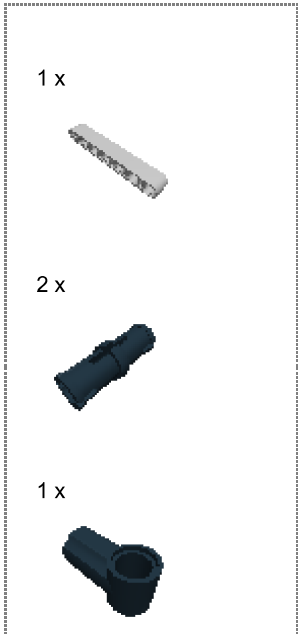
3 x



Step 10 of 52



Step 11 of 52



Step 12 of 52

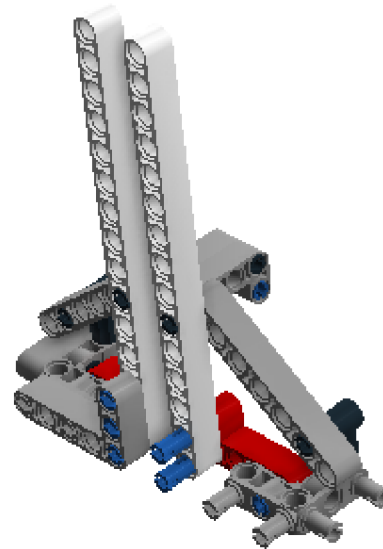
1 x



2 x



1 x



Step 13 of 52

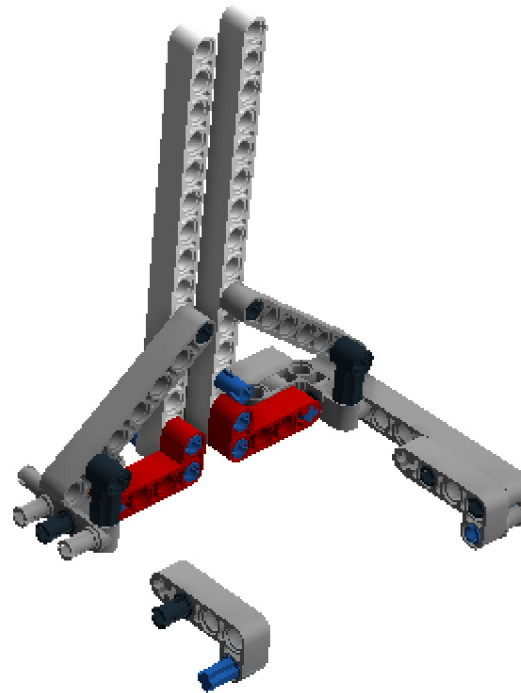
1 x







2 x

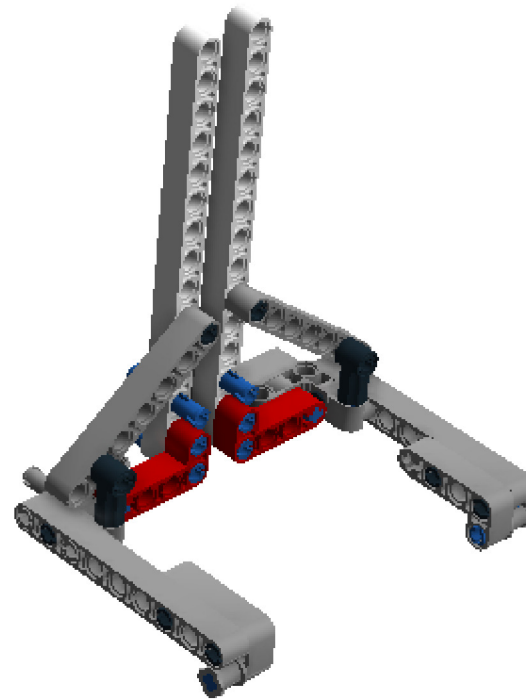


1 x



Step 14 of 52

- 1 x 
- 1 x 
- 1 x 
- 1 x 



Step 15 of 52

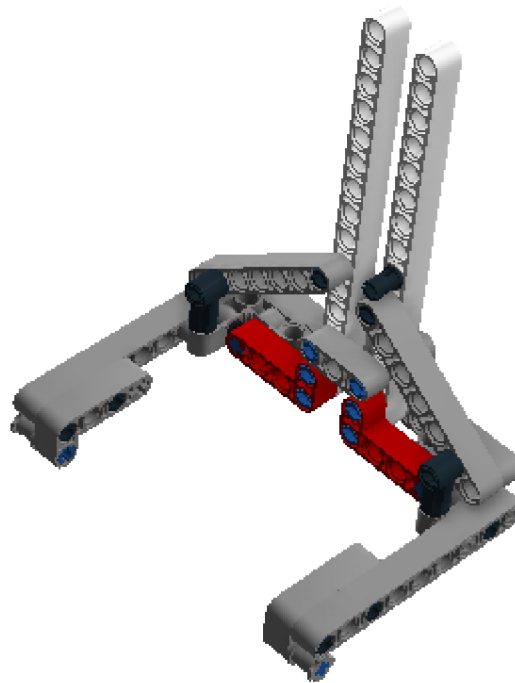
1 x



1 x

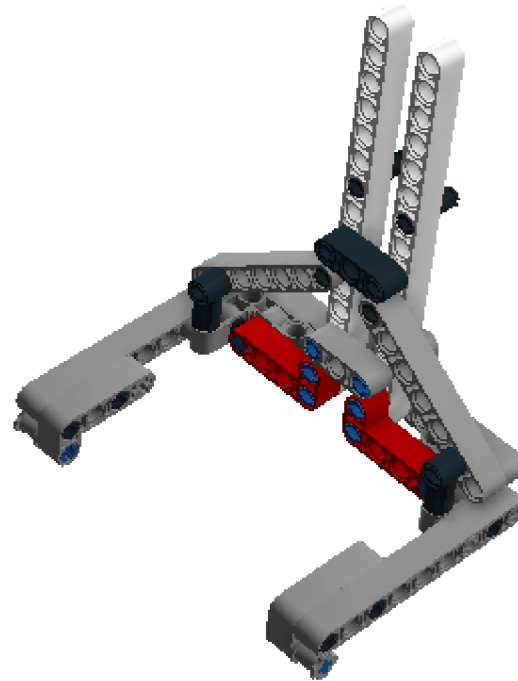
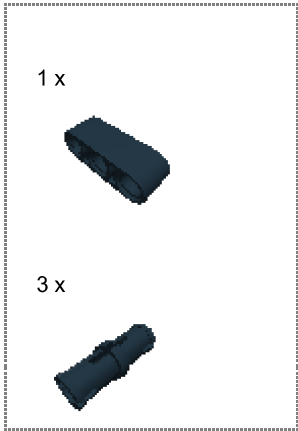


1 x

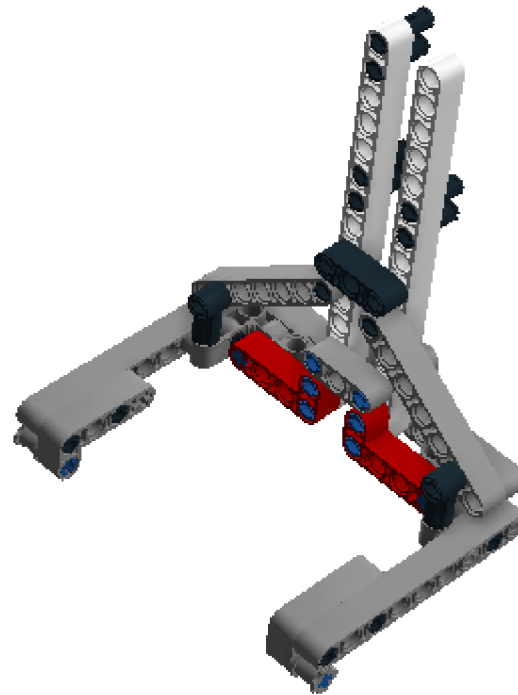




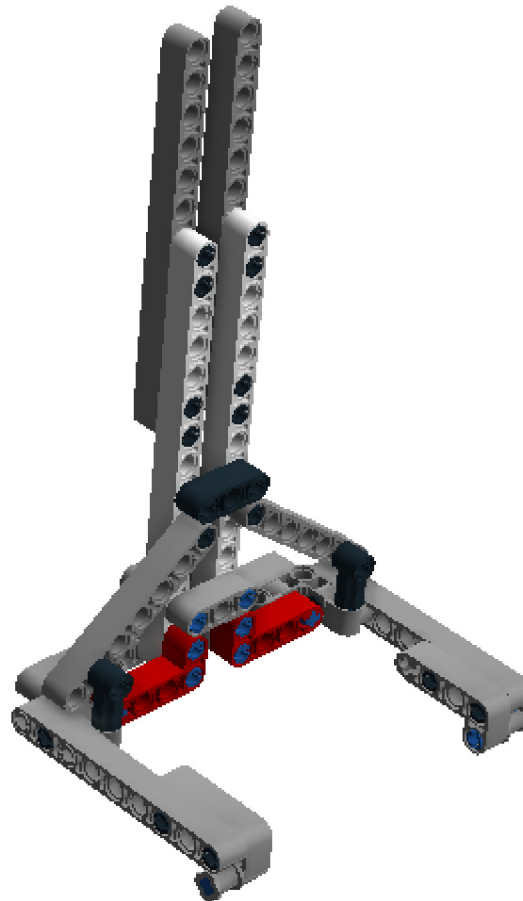
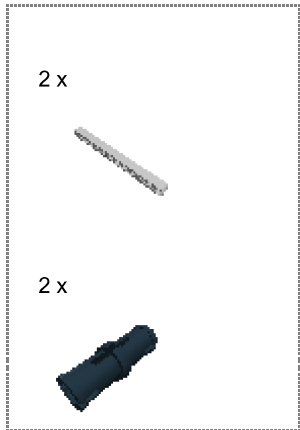
Step 16 of 52



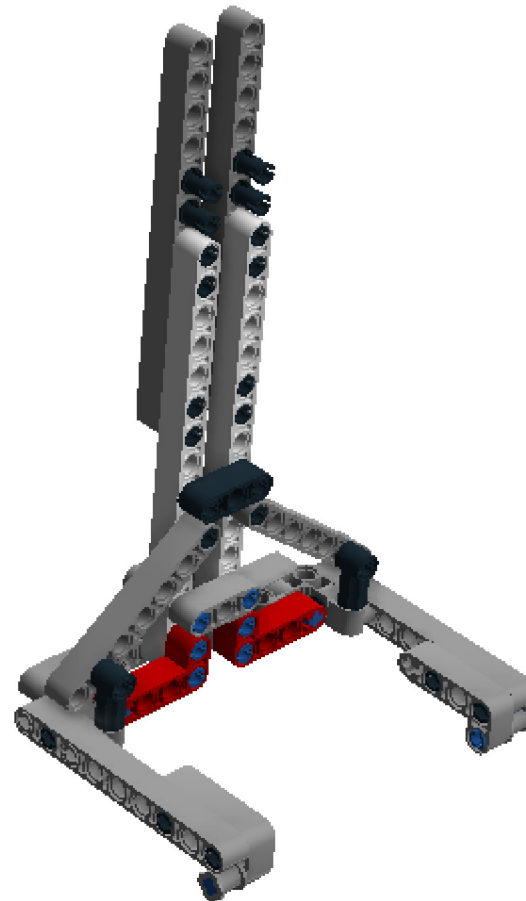
Step 17 of 52



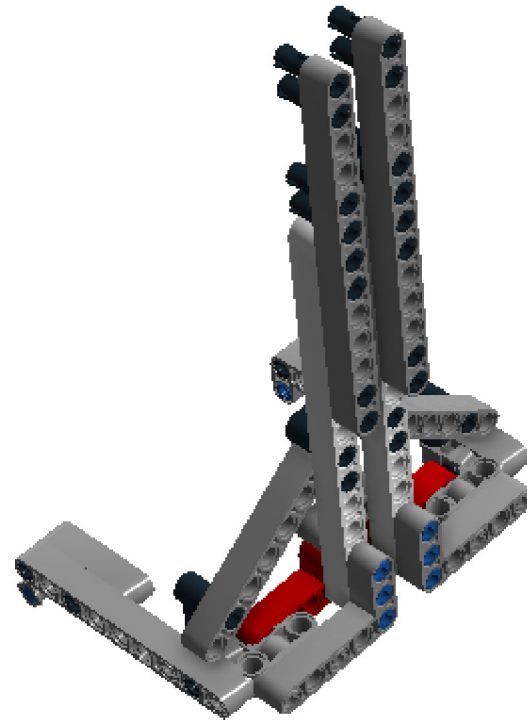
Step 18 of 52



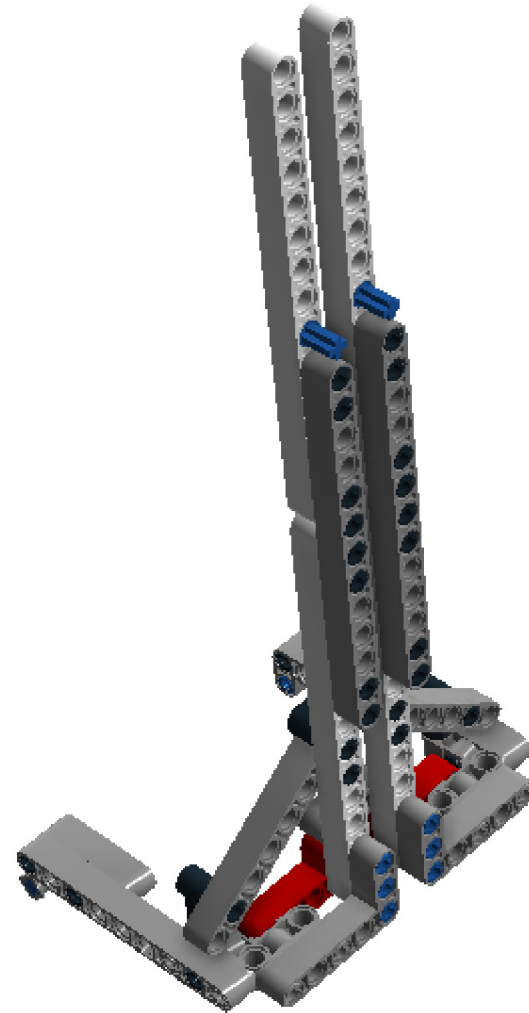
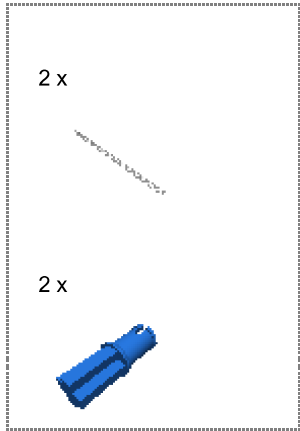
Step 19 of 52



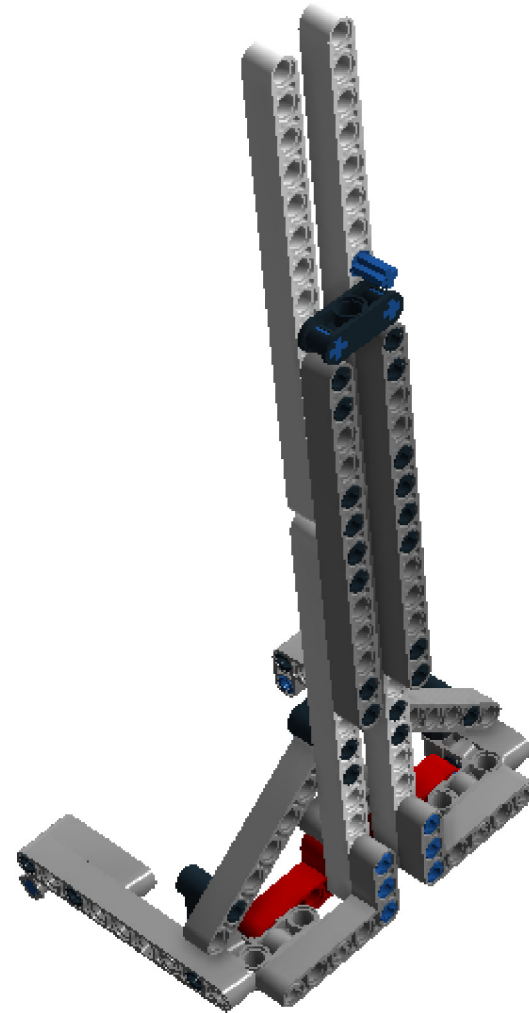
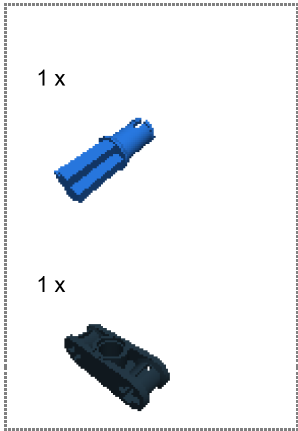
Step 20 of 52



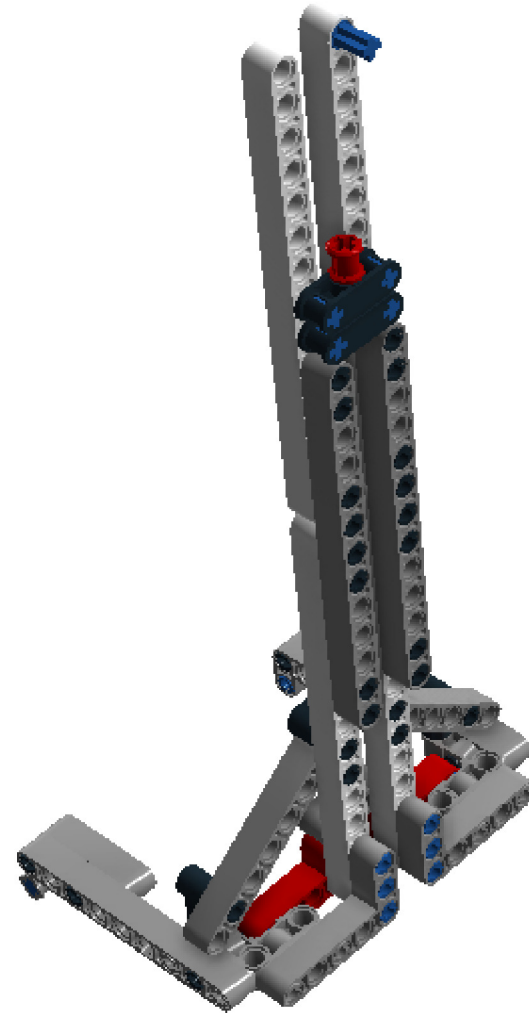
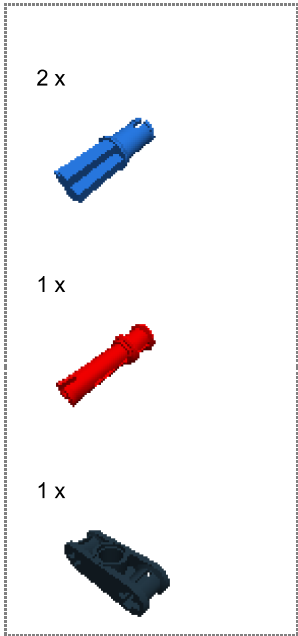
Step 21 of 52



Step 22 of 52



Step 23 of 52





Step 24 of 52

1 x



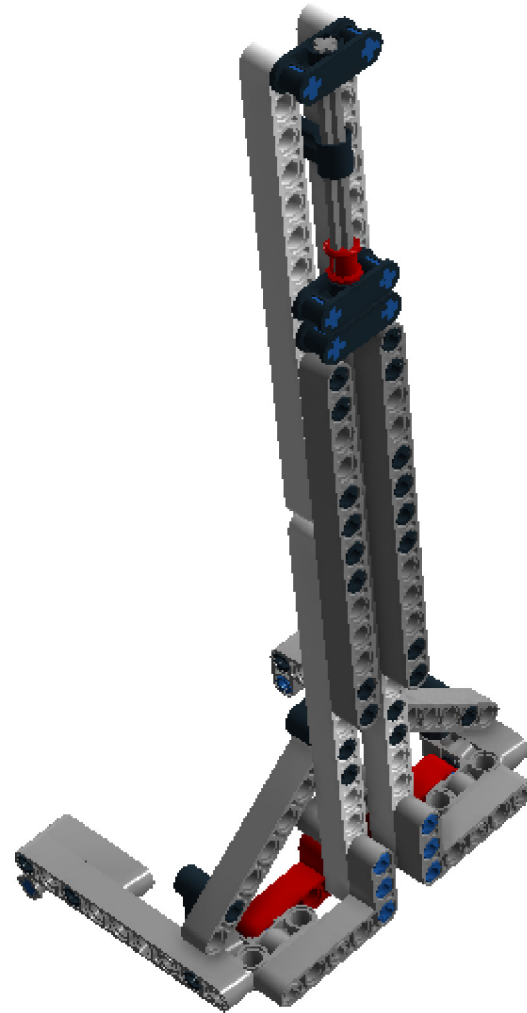
1 x



1 x

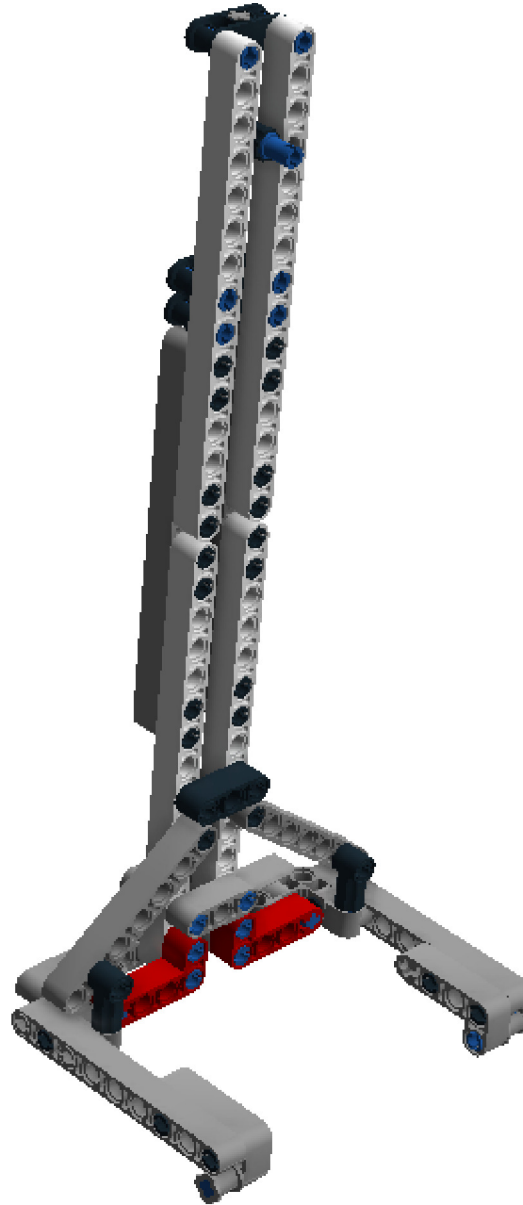


1 x

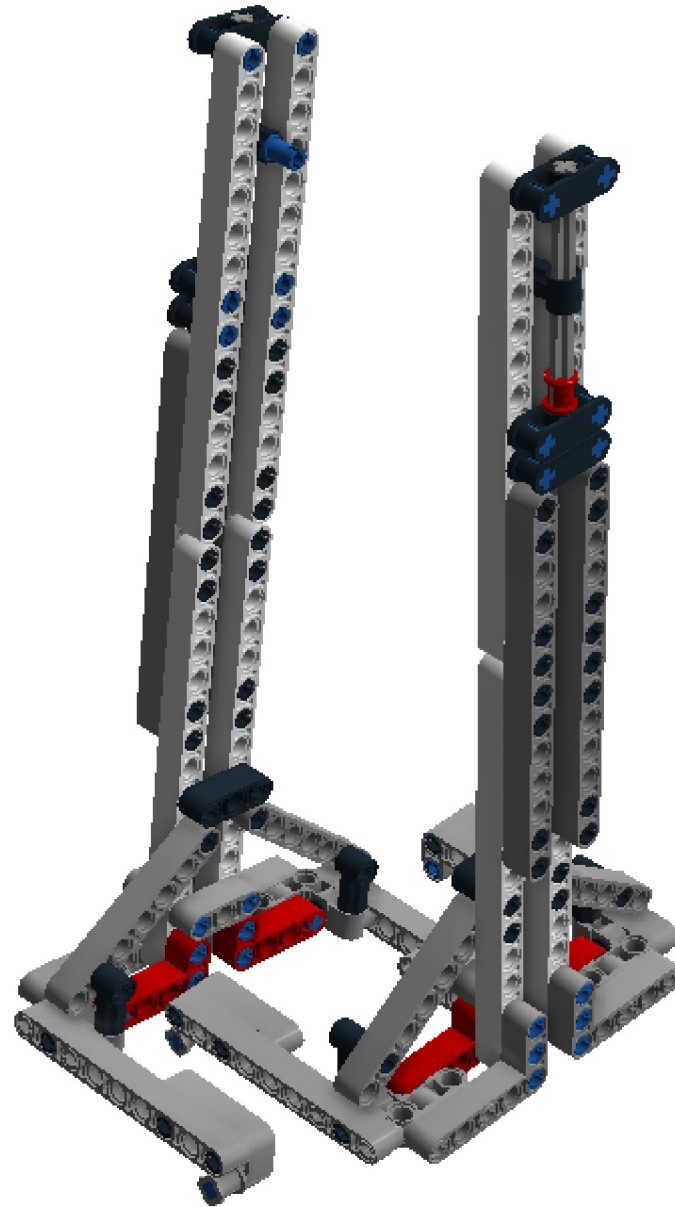


Step 25 of 52

1 x

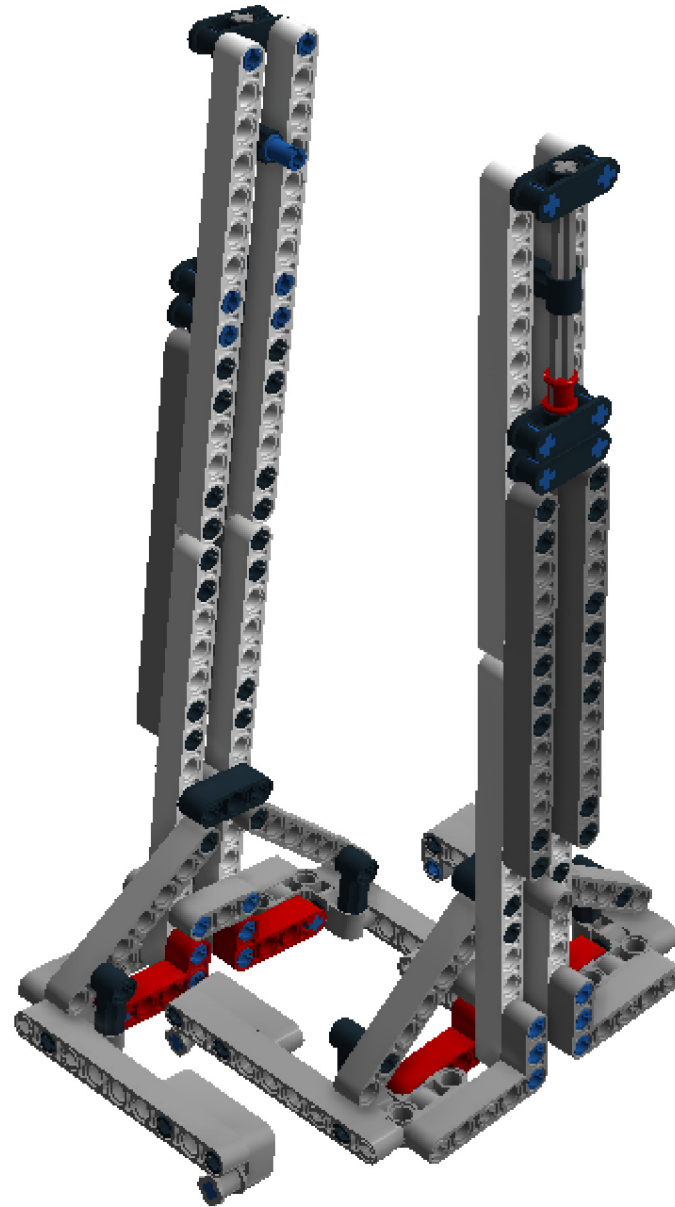


Step 26 of 52



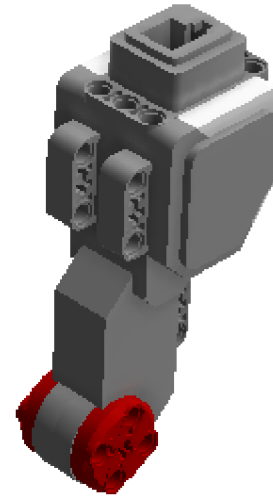
Step 27 of 52

2 x

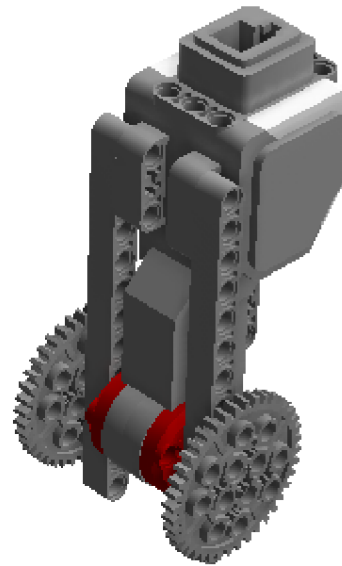
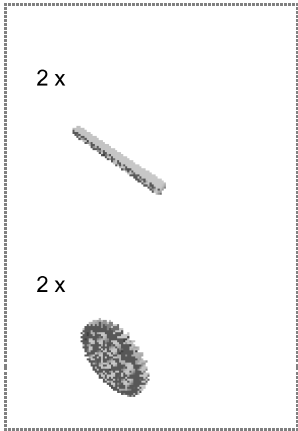


Step 28 of 52

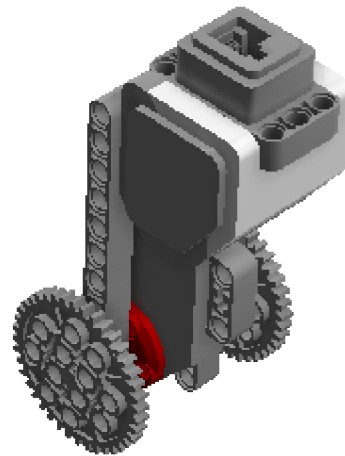
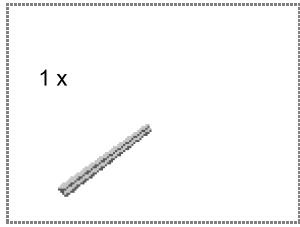
1 x



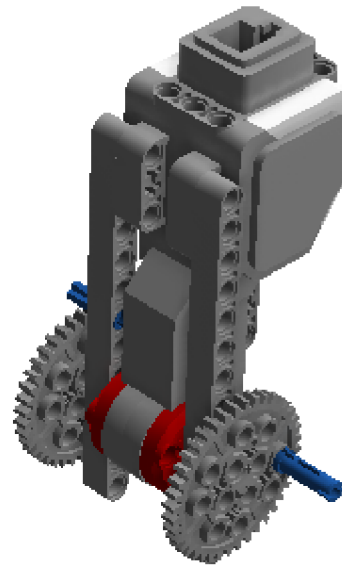
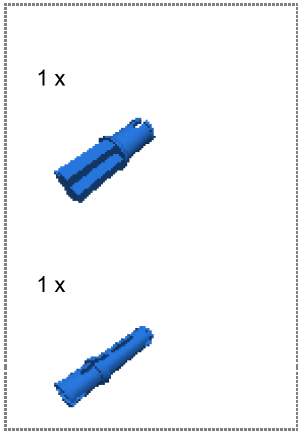
Step 29 of 52



Step 30 of 52



Step 31 of 52





Step 32 of 52

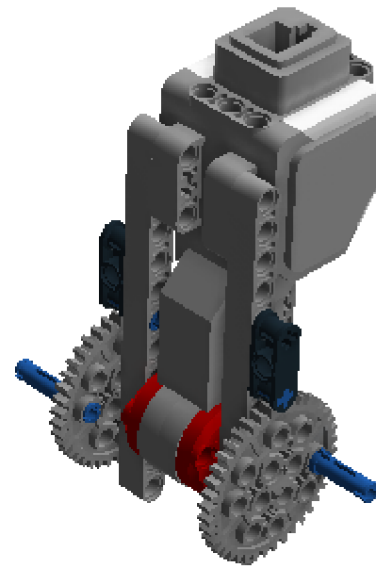
1 x



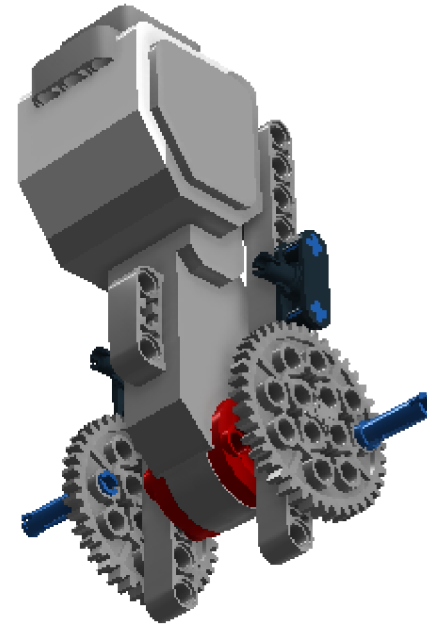
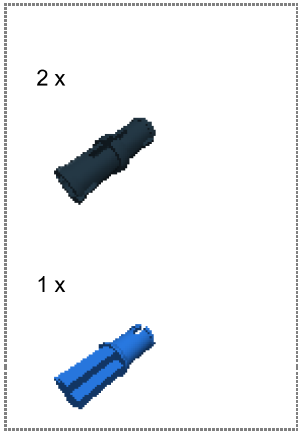
1 x



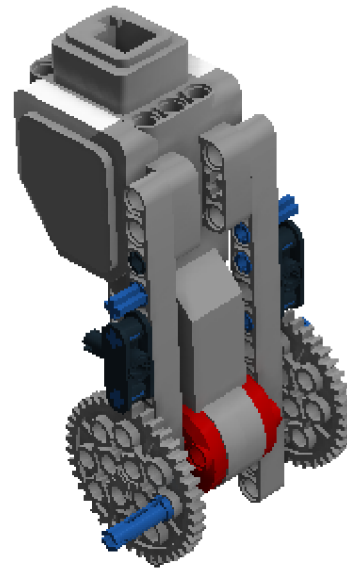
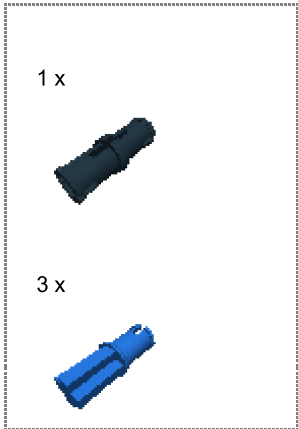
2 x



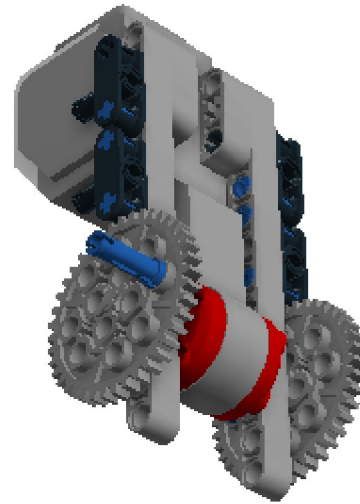
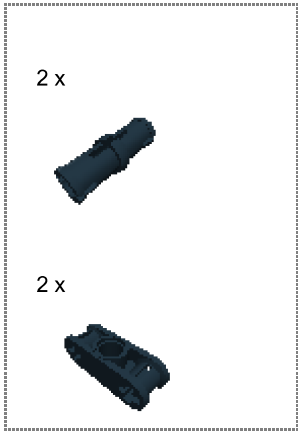
Step 33 of 52



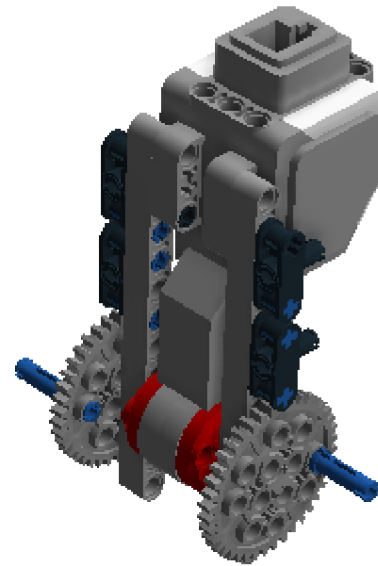
Step 34 of 52



Step 35 of 52

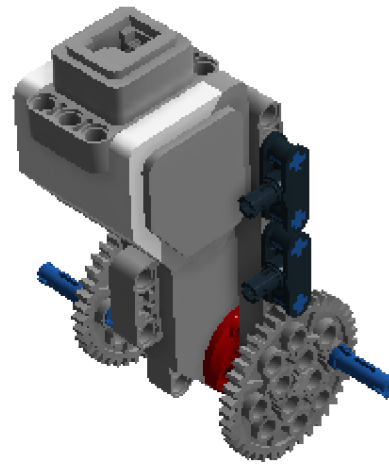


Step 36 of 52



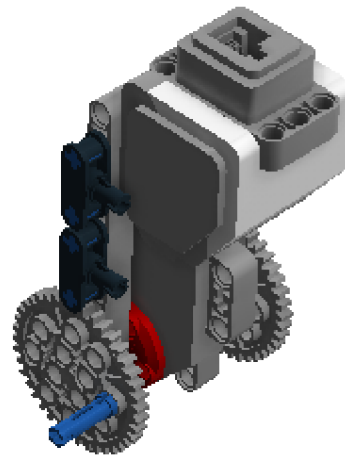
Step 37 of 52

1 x

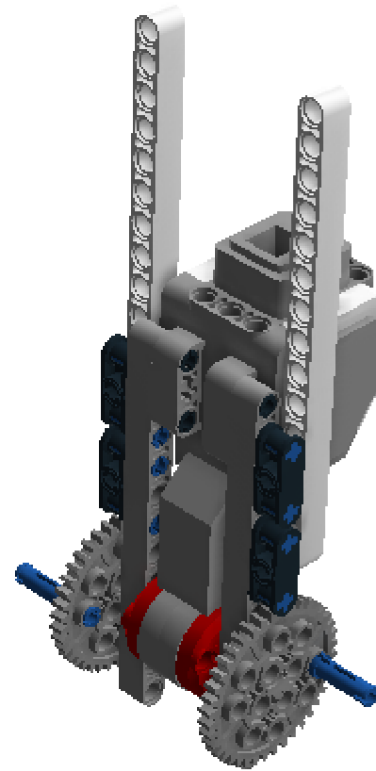
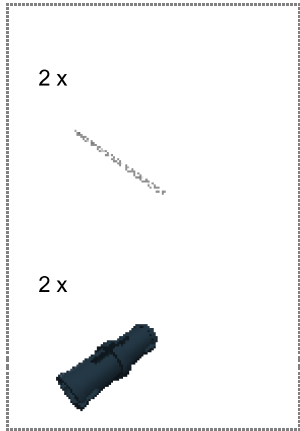


Step 38 of 52

1 x

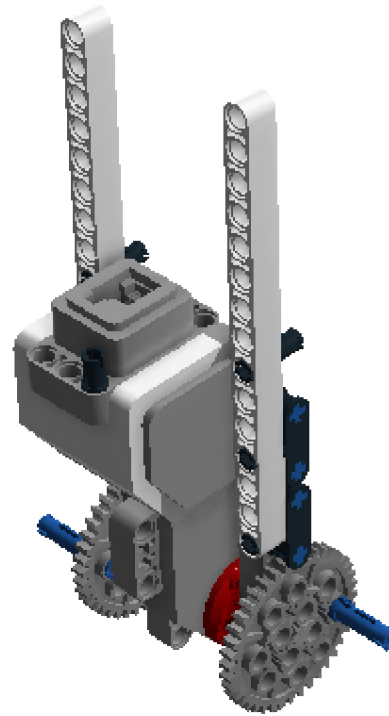


Step 39 of 52

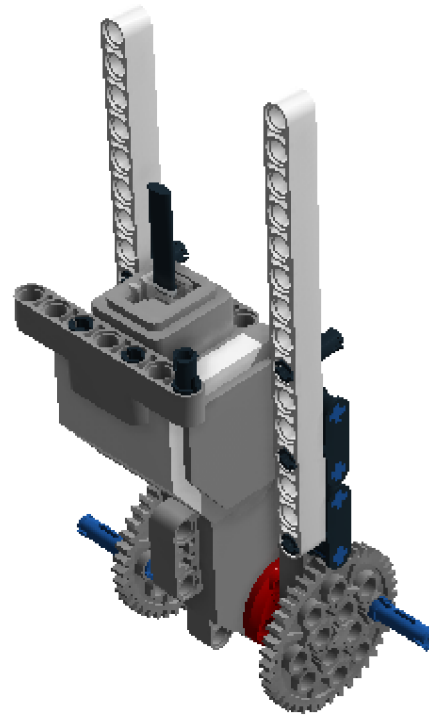




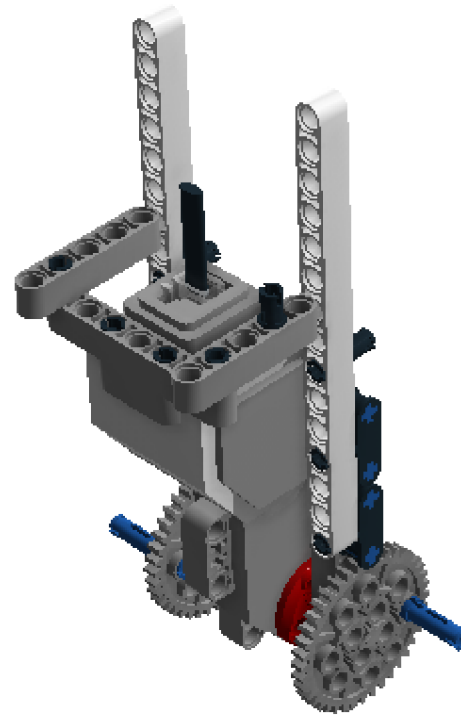
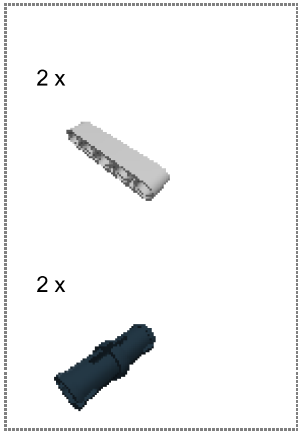
Step 40 of 52



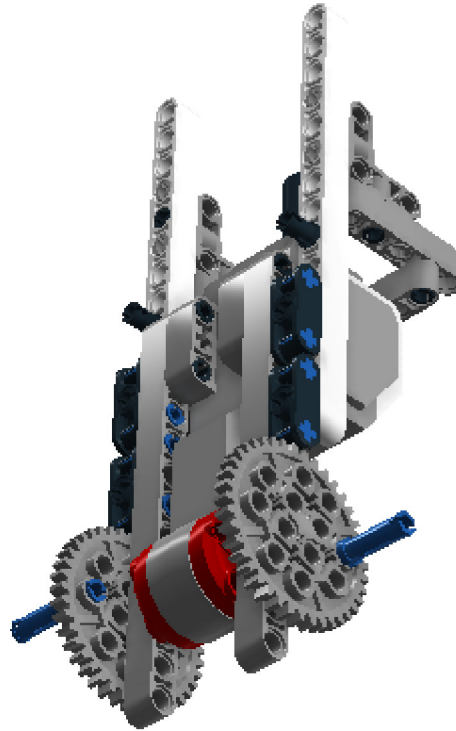
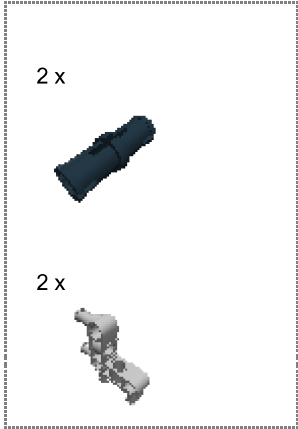
Step 41 of 52



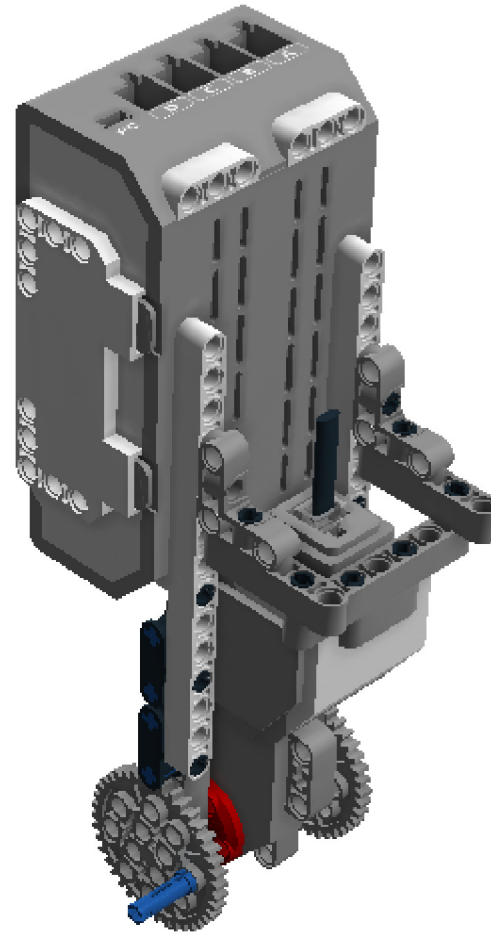
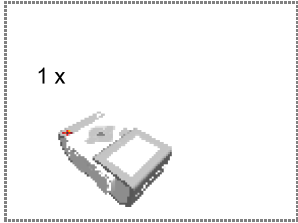
Step 42 of 52



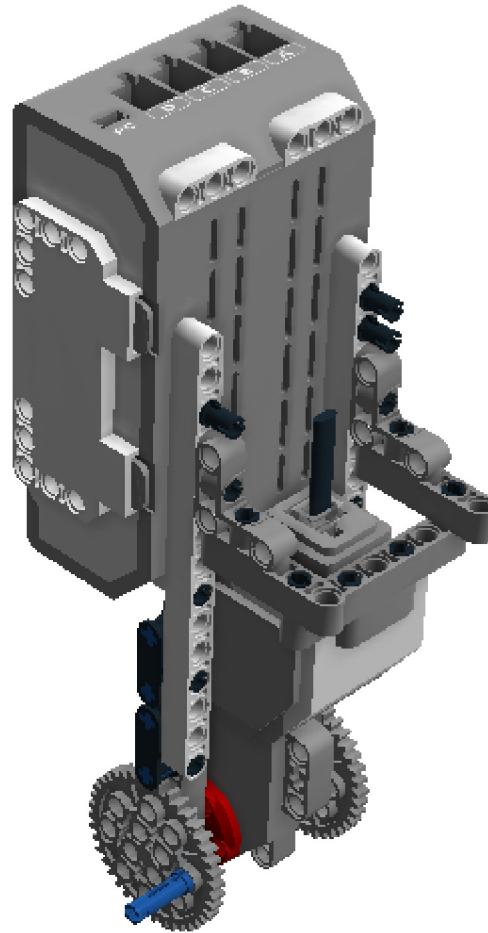
Step 43 of 52



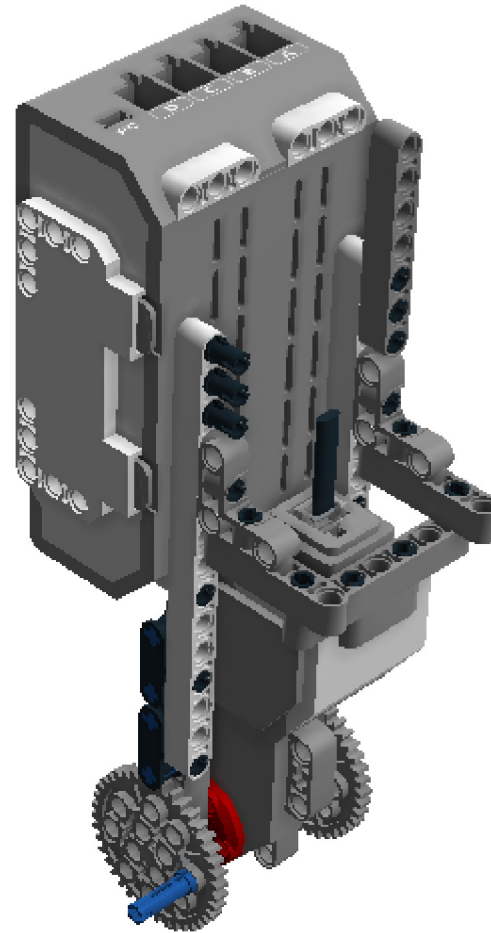
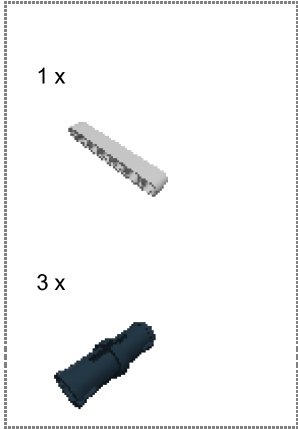
Step 44 of 52



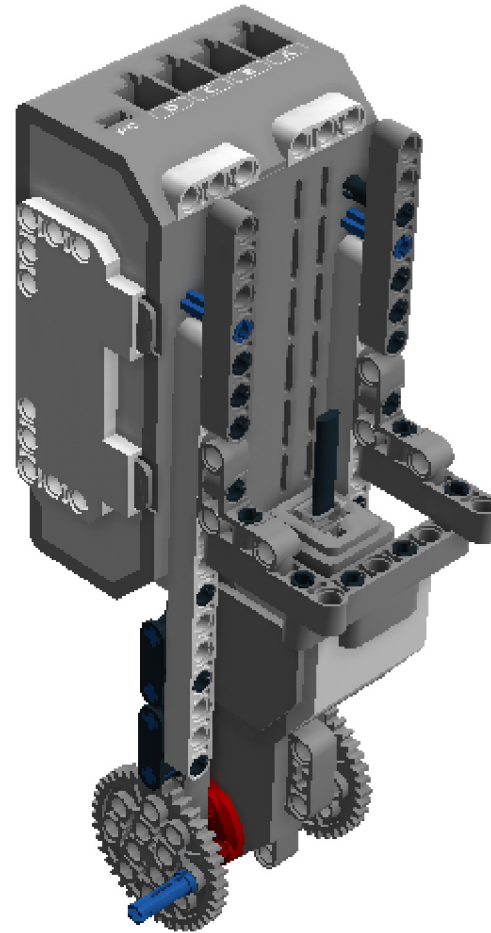
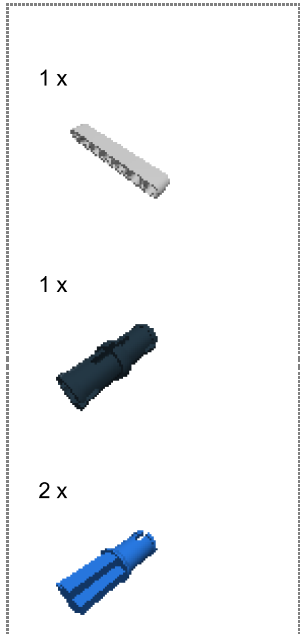
Step 45 of 52



Step 46 of 52

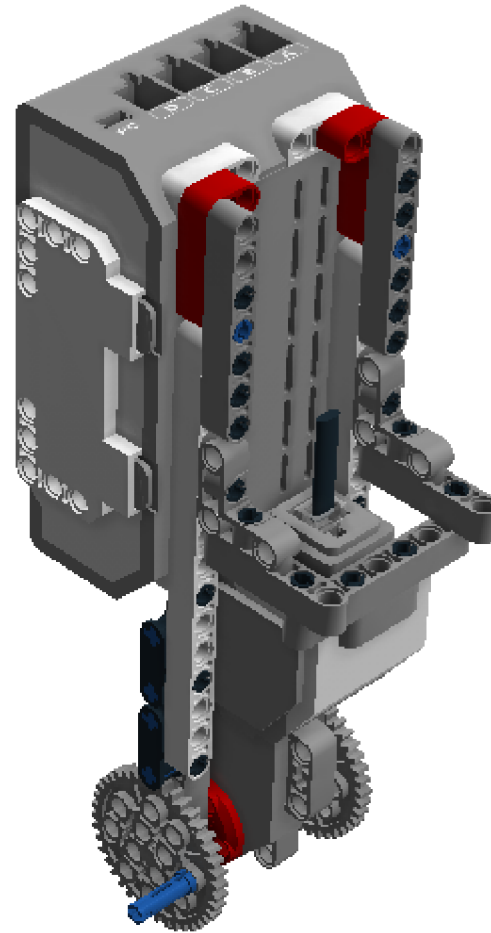
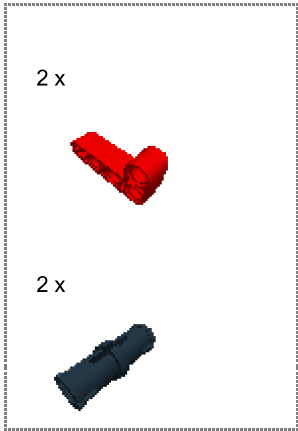


Step 47 of 52

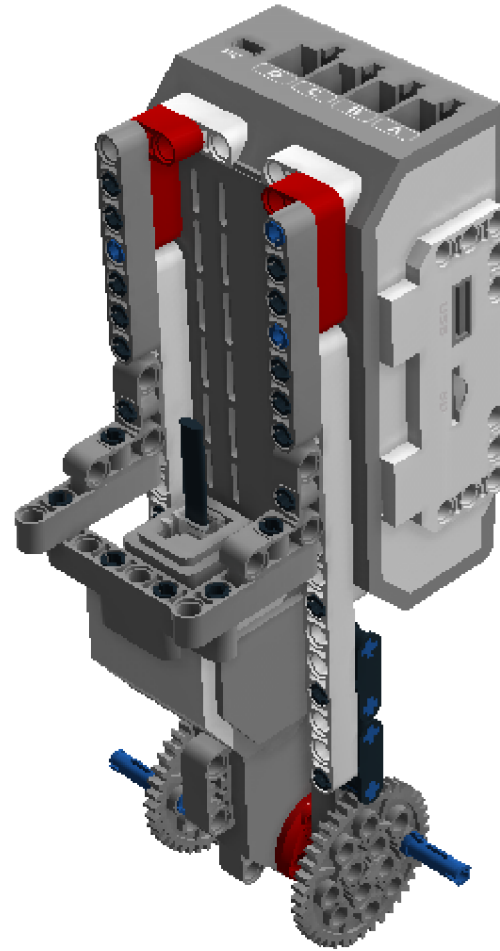
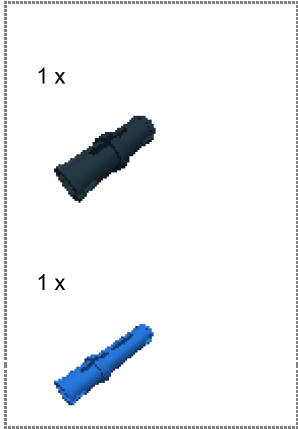




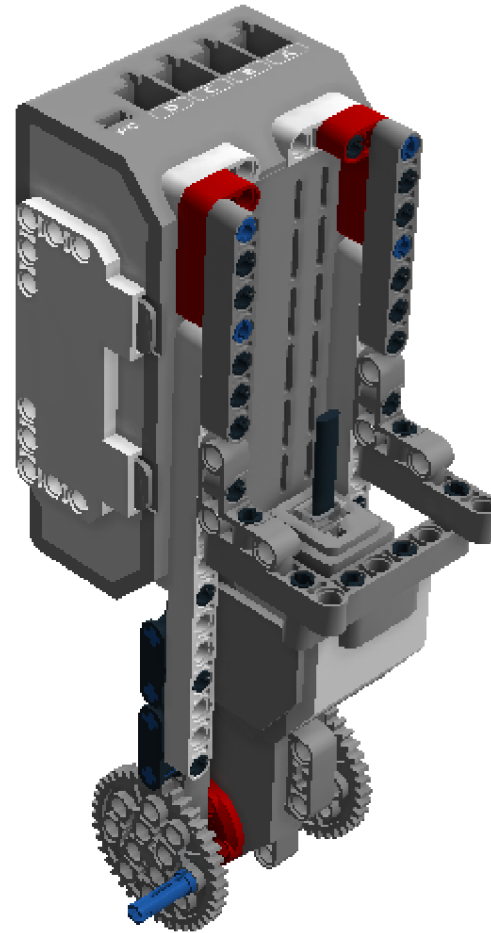
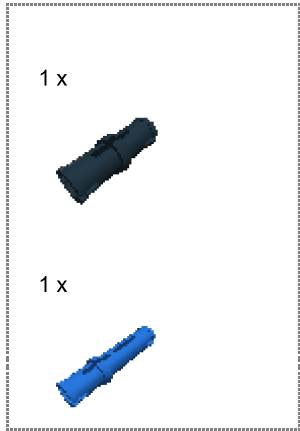
Step 48 of 52



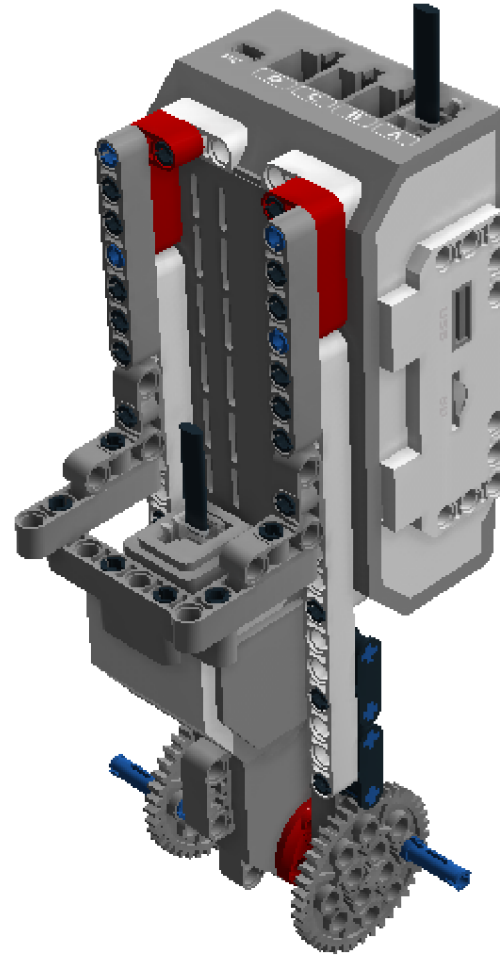
Step 49 of 52



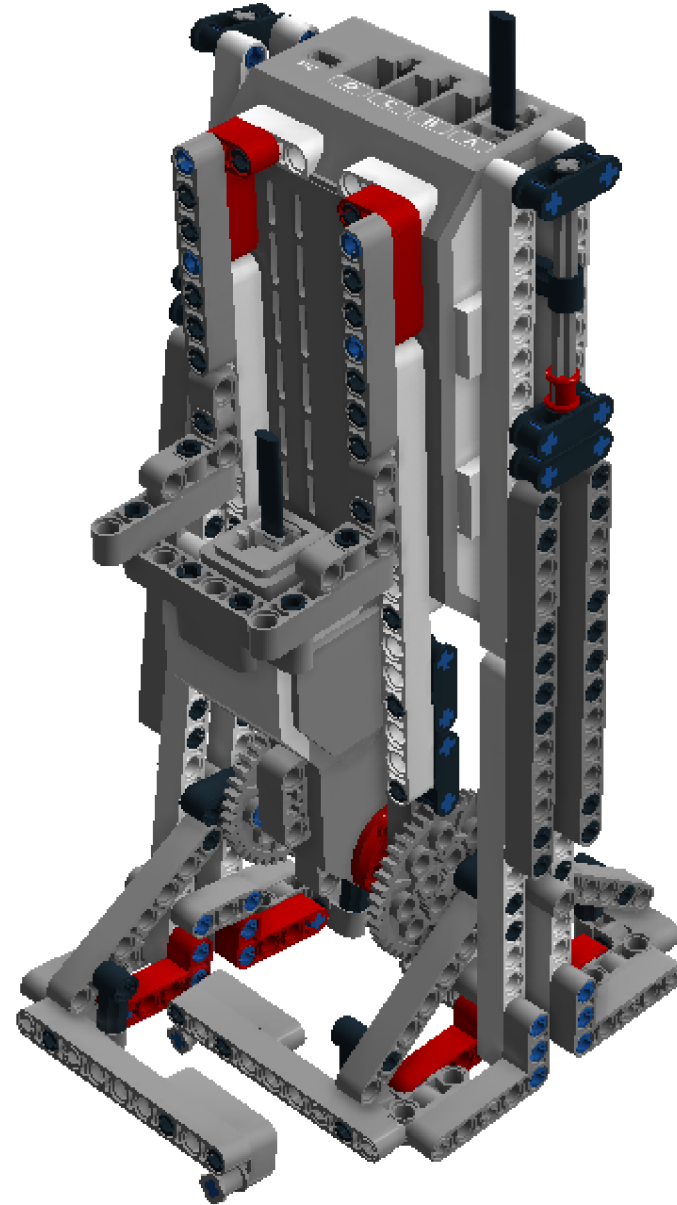
Step 50 of 52

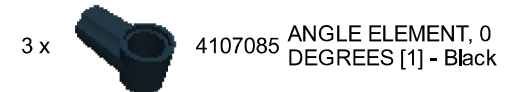
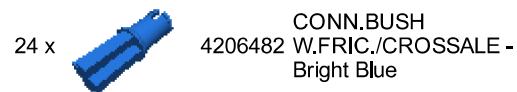
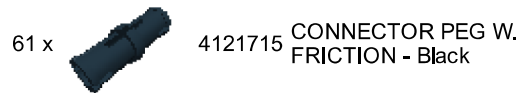
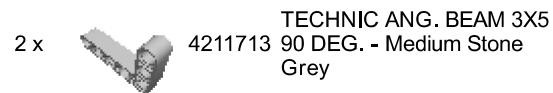
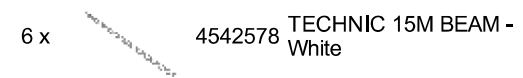
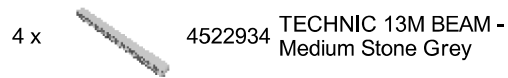
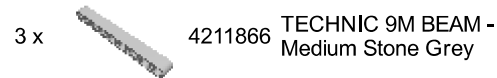
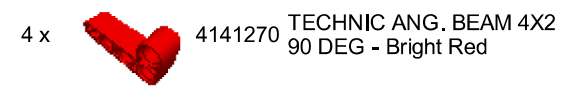
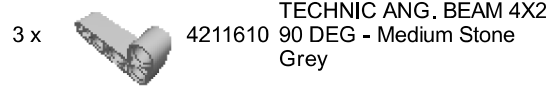
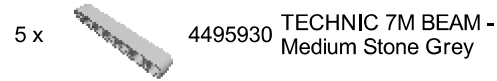
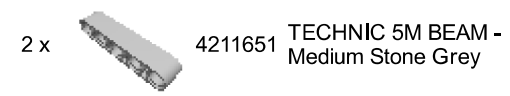
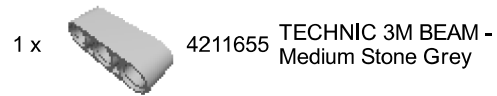
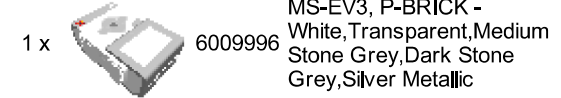
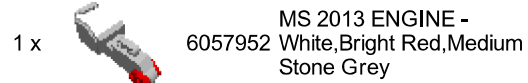
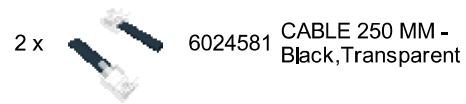


Step 51 of 52



Step 52 of 52





TUBE Ø7,84 2M - Medium

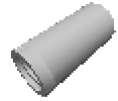
2M FRIC. SNAP W/CROSS

CROSS AXLE 7M - Medium

27.01.2017

Lego Digital Designer

2 x



4526985 Stone Grey

1 x



4140806 HOLE - Bright Red

2 x



4211805 Stone Grey

7 x



4121667 DOUBLE CROSS BLOCK - Black

5 x



4296059 Angular beam 90degr. w.4 snaps - Medium Stone Grey

2 x



4285634 GEAR WHEEL 40T - Medium Stone Grey

© 2012 The LEGO Group. All rights reserved.  
Use of the LEGO Digital Designer html print tool, signifies your agreement to the terms of use.