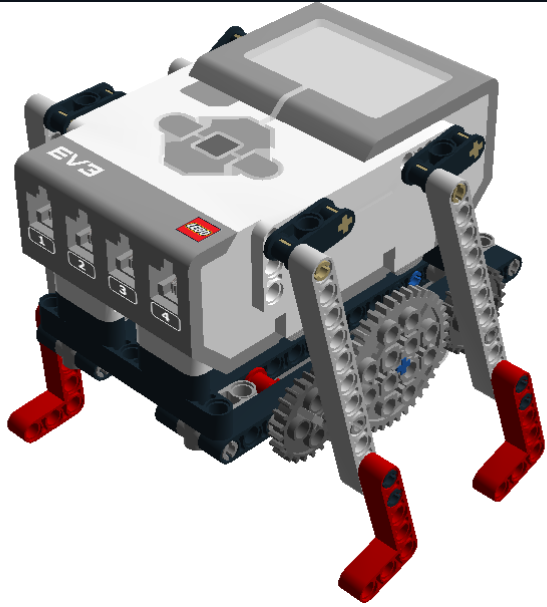
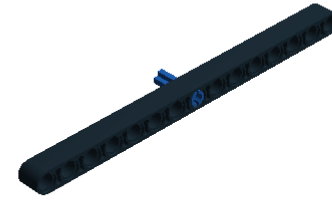
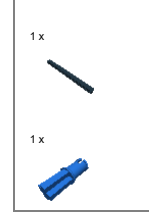


Model Name:

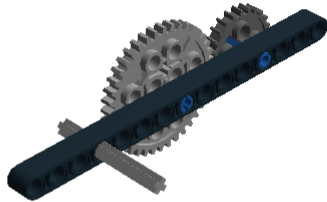
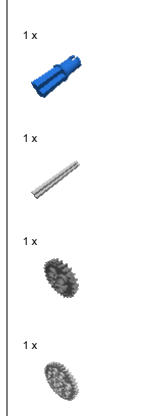
Number of Bricks: 81



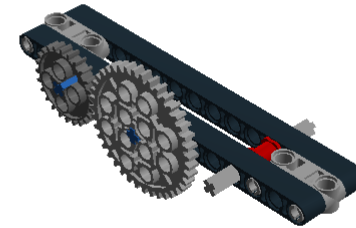
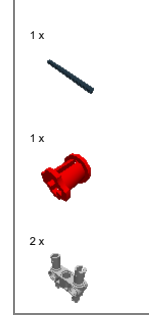
Step 1 of 34



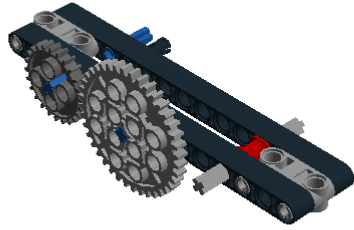
Step 2 of 34



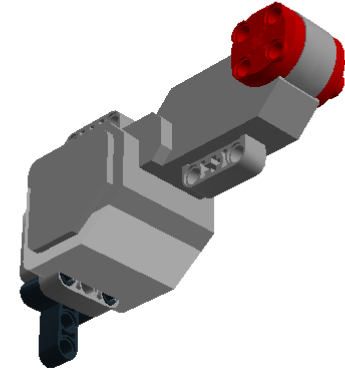
Step 3 of 34



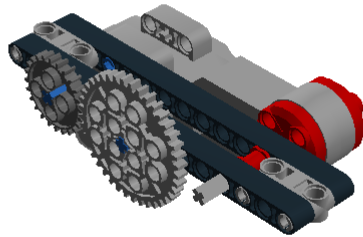
Step 4 of 34



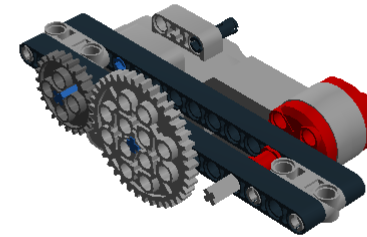
Step 5 of 34



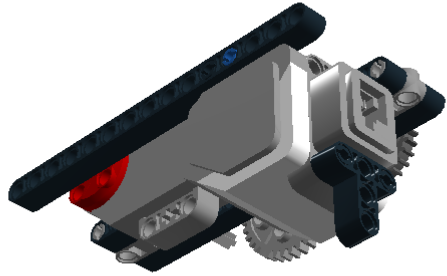
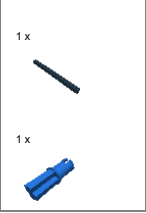
Step 6 of 34



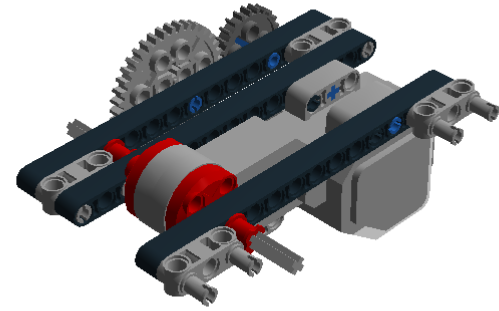
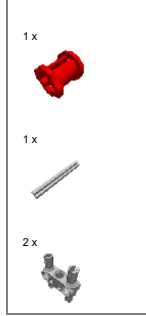
Step 7 of 34



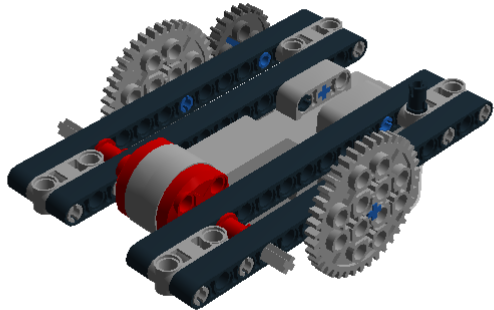
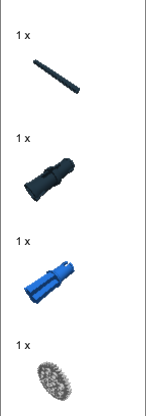
Step 8 of 34



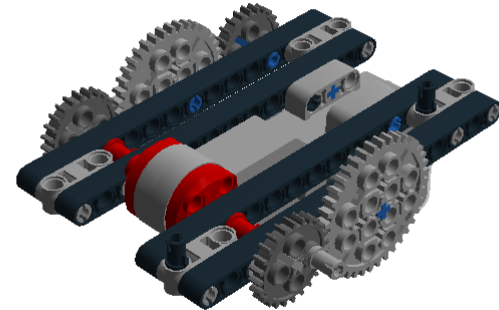
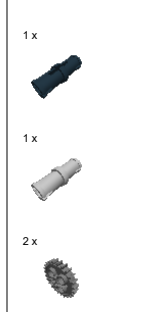
Step 9 of 34



Step 10 of 34

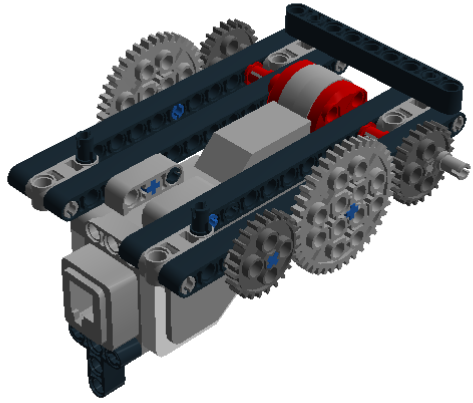


Step 11 of 34



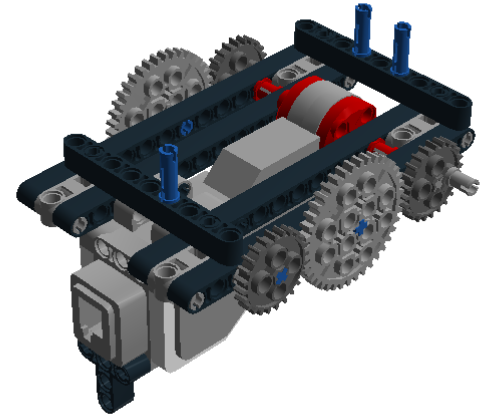
Step 12 of 34

- 1x 
- 2x 
- 1x 



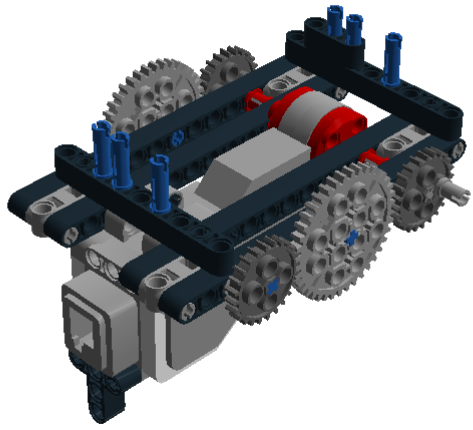
Step 13 of 34

- 1x 
- 3x 



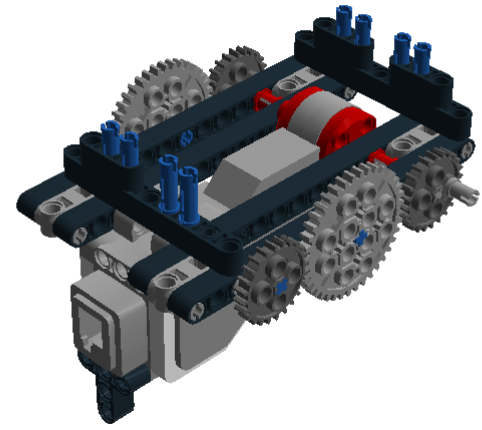
Step 14 of 34

- 1x 
- 3x 

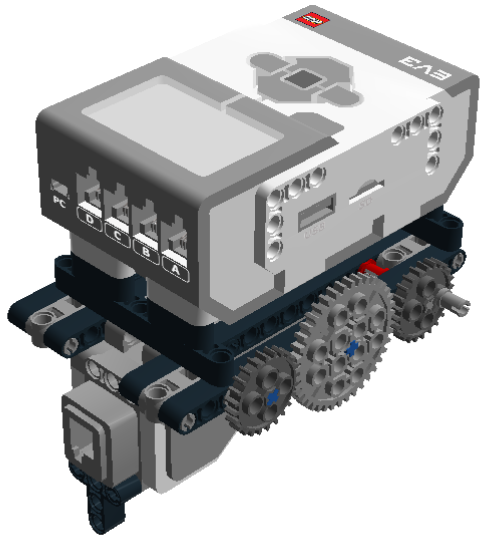


Step 15 of 34

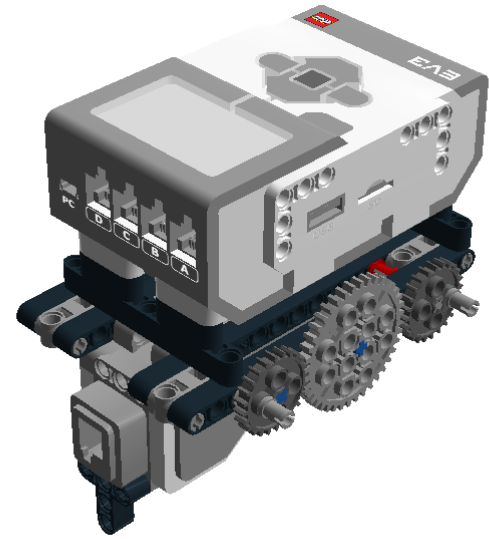
- 2x 
- 2x 



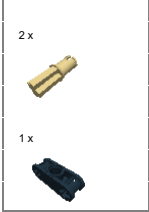
Step 16 of 34



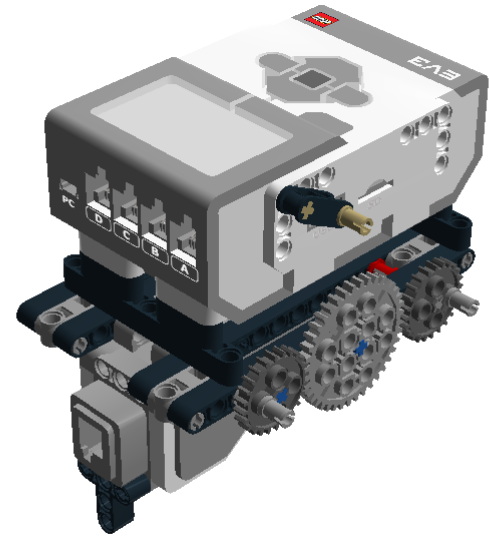
Step 17 of 34



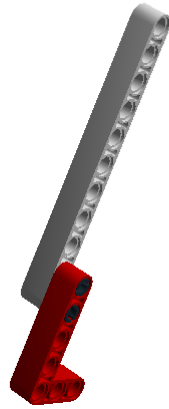
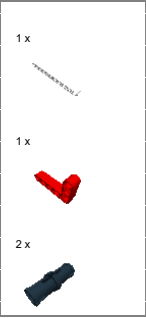
Step 18 of 34



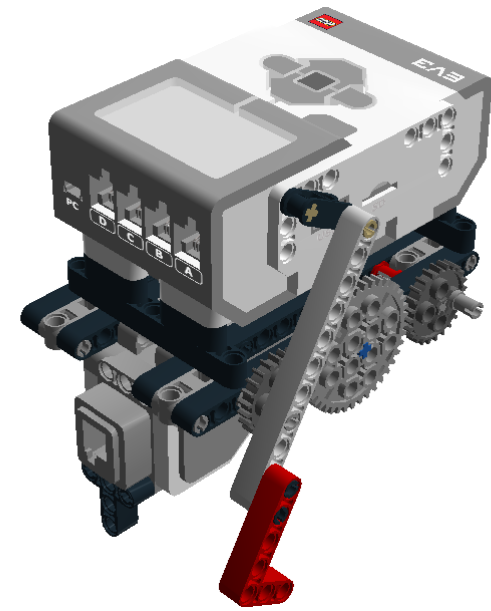
Step 19 of 34



Step 20 of 34



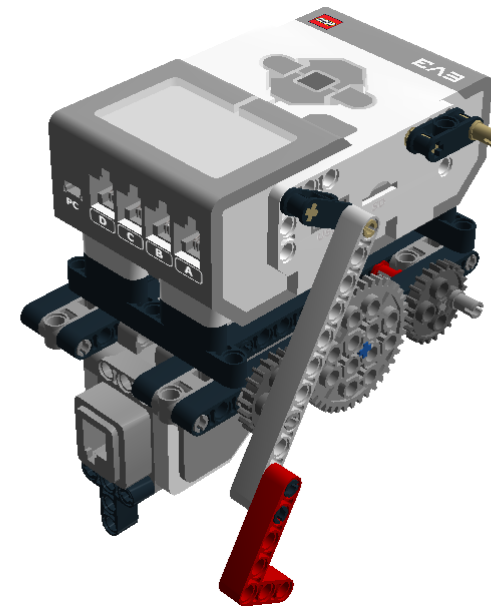
Step 21 of 34






Step 22 of 34

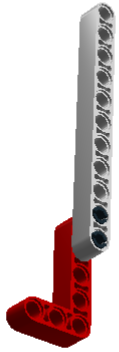


Step 23 of 34

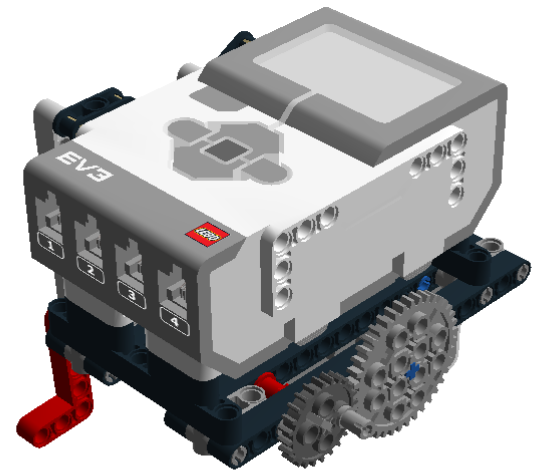


Step 24 of 34

- 1x 
- 1x 
- 2x 



Step 25 of 34



Step 26 of 34

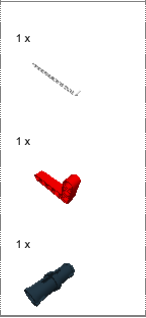
- 2x 
- 1x 



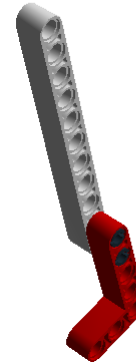
Step 27 of 34



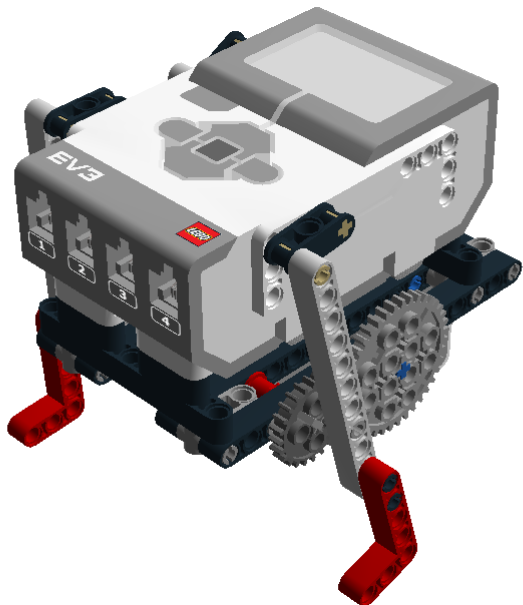
Step 28 of 34



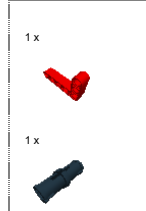
Step 29 of 34



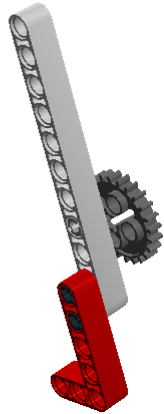
Step 30 of 34



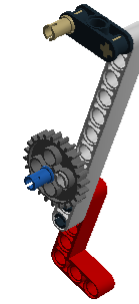
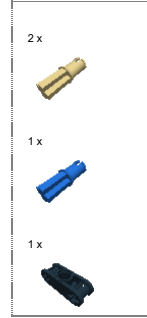
Step 31 of 34



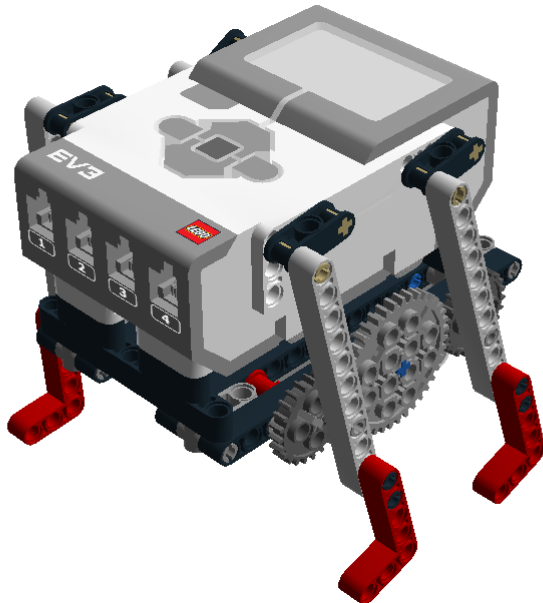
Step 32 of 34






















Step 33 of 34



Step 34 of 34



- | | | | | | |
|-------------------------------------------------------------------------------------------|---------------------------------------------------------------------|-------------------------------------------------------------------------------------------|------------------------------------------------------------------------------------------------------------|--------------------------------------------------------------------------------------------|------------------------------------------------|
| 1 x  | MS 2013 ENGINE -
6057952 White, Bright Red, Medium
Stone Grey | 1 x  | MS-EV3, P-BRICK -
6009996 White, Transparent, Medium
Stone Grey, Dark Stone
Grey, Silver Metallic | 4 x  | 4142822 TECHNIC 3M BEAM - Black |
| 2 x  | 4645732 TECHNIC 9M BEAM - Black | 1 x  | 4552347 T-BEAM 3X3 WHOLE Ø4.8
- Black | 4 x  | 4297200 TECHNIC 11M BEAM -
Light Stone Grey |
| 4 x  | 4542573 TECHNIC 15M BEAM -
Black | 4 x  | 4143154 TECHNIC ANG. BEAM 3X5
90 DEG. - Bright Red | 16 x  | 4121715 CONNECTOR PEG W.
FRICTION - Black |
| 4 x  | 4211807 CONNECTOR PEG -
Medium Stone Grey | 8 x  | 4666579 CONNECTOR PEG/CROSS
AXLE - Brick Yellow | 2 x  | 4227156 BUSH FOR CROSS AXLE -
Bright Red |
| 6 x  | 4206482 CONN BUSH
W. FRIC./CROSSALE -
Bright Blue | 8 x  | 4514553 CONNECTOR PEG W.
FRICTION 3M - Bright Blue | 2 x  | 4211630 CROSS AXLE 5M - Medium
Stone Grey |
| 4 x  | 4121667 DOUBLE CROSS BLOCK -
Black | 4 x  | 4225033 BEAM 3 M. W/4 SNAPS -
Medium Stone Grey | 4 x  | 4514558 GEAR WHEEL Z24 - Dark
Stone Grey |
| 2 x  | 4285634 GEAR WHEEL 40T -
Medium Stone Grey | | | | |



© 2012 The LEGO Group. All rights reserved.
Use of the LEGO Digital Designer html print tool, signifies your agreement to the terms of use.